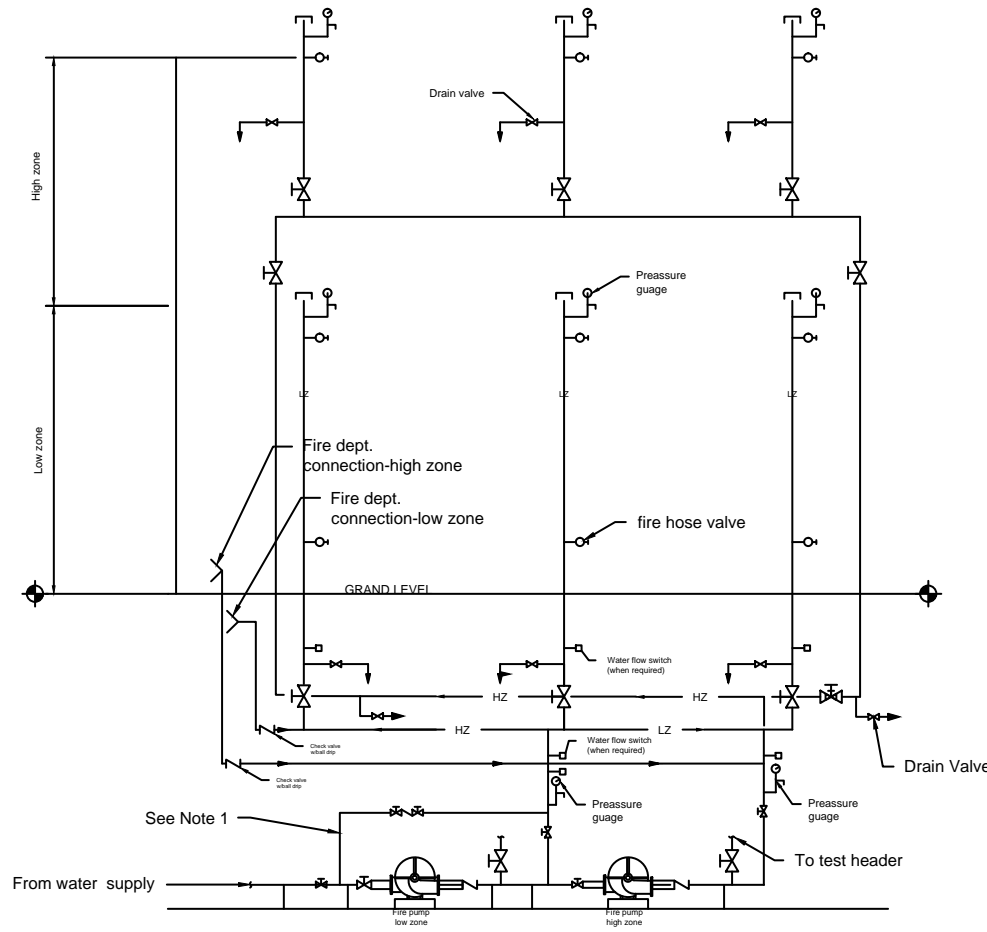
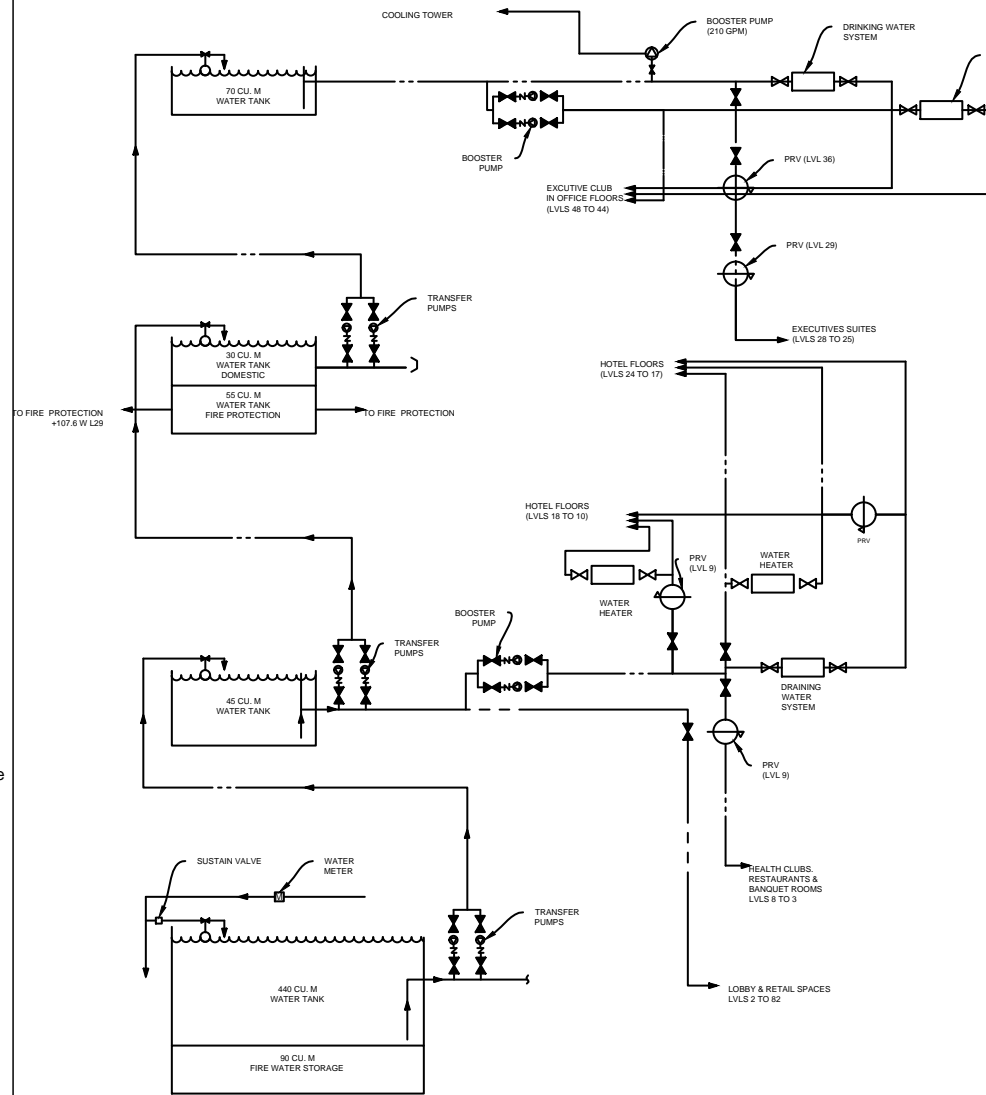


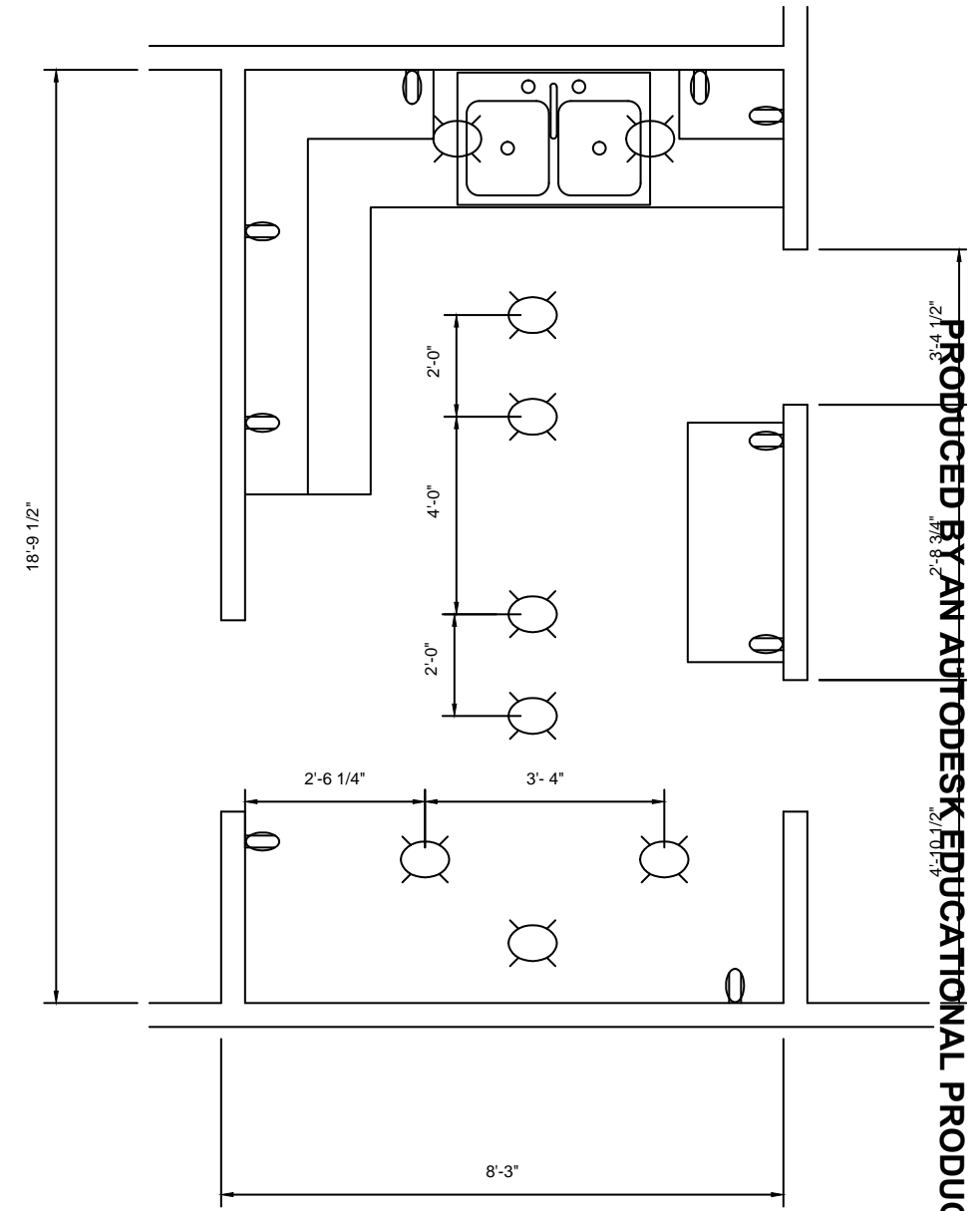
PRODUCED BY AN AUTODESK EDUCATIONAL PRODUCT



scale: 1:1.5



scale: 1:1



scale: 1:1

PRODUCED BY AN AUTODESK EDUCATIONAL PRODUCT

Digital School

PROJECT: BLD. Services
 TITLE: Assign # 4

DRAWN BY: David Tang
 CHECKED BY: Muhib
 DATE: 1 OF 1
 SCALE: AS NOTED

COURSE: ACT 430
 INSTRUCTOR: Muhib
 REVISION: .
 SHEET: 1 OF 1